



ET-87P4/ET-87P8

4-slot Intelligent Ethernet I/O Expansion Unit (DCON Protocol)

Features

- Two Ethernet Ports for Daisy-Chain Topology
- LAN Bypass Feature
- Hot Swap Allowed
- Auto Configuration
- LED Indicators for Fault Detection
- DCON Protocol (ASCII-based protocol)
- 4/8 I/O Slots for I-87K Series Modules
- Operating Temperature: -25 ~ +75 °C



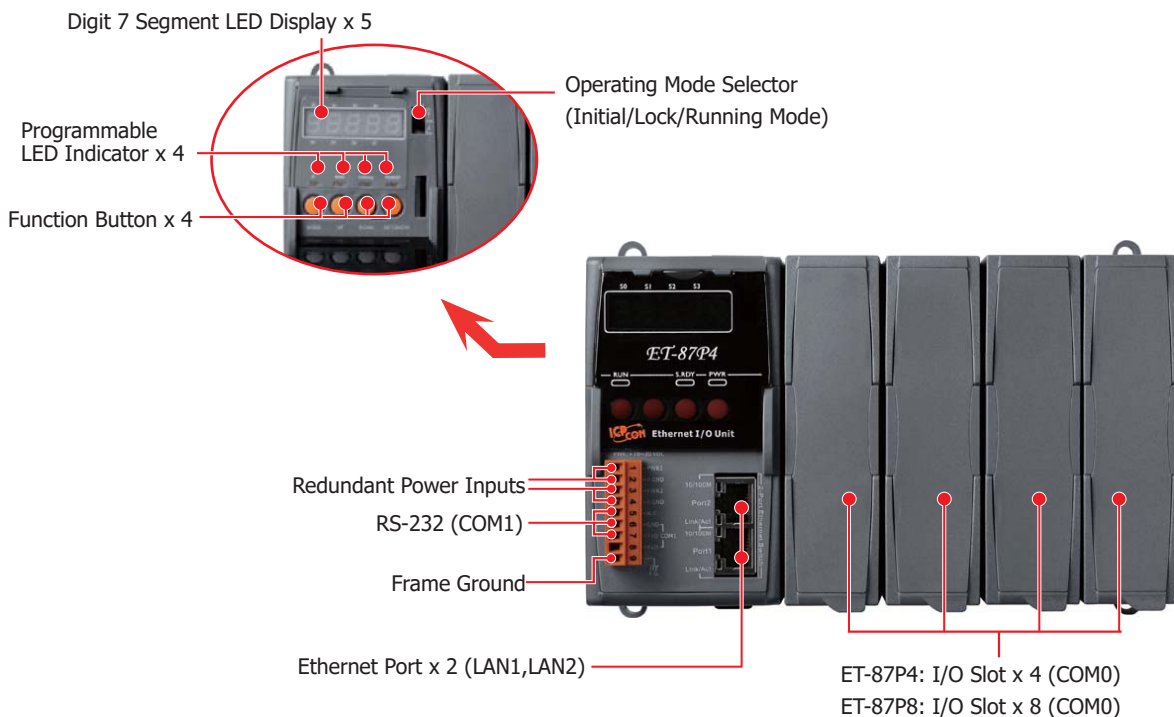
Introduction

ET-87P4/ET-87P8 is a remote intelligent I/O expansion unit to expand I-87K series I/O modules over the Ethernet for industrial monitoring and controlling applications. It offers two Ethernet switch ports to form a daisy-chain topology. The daisy-chain feature allows ET-87P4/ET-87P8 to connect in series to each other or other Ethernet devices. Users can easily simplify the cabling and save installation space with the feature.

ET-87P4/ET-87P8 is designed to be used in harsh and noisy environment, so the hardware is manufactured with wide power input range (10 ~ 30 VDC), isolated power input and can operate under wide temperature (-25 ~ +75 °C). To simplify installation and maintenance of I/O modules, it provides many useful features, such as: hot swap allowed, auto configuration, LED indicators for fault detection, dual watchdog to keep alive, programmable power on and safe values for safety.

There are more than 30 I/O modules supported with the unit, including analog input/output, digital input/output, counter, frequency I/O modules. We provide various software development kits (SDK) and demos, such as DLL, Labview driver, InduSoft driver, Linux driver, OPC server, etc. The I-87K series I/O modules plugged in the ET-87P4/ET-87P8 can be easily integrated into variant software system.

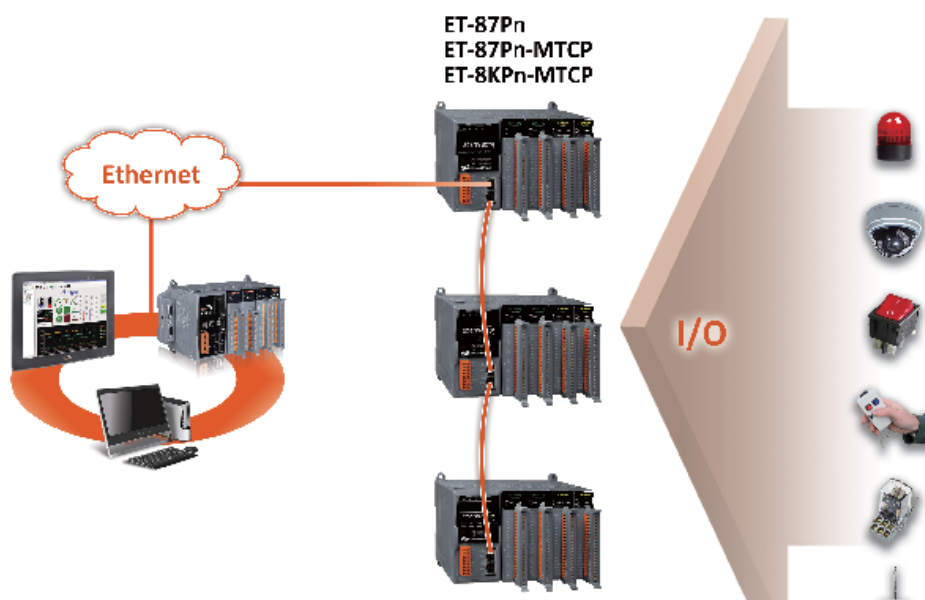
Appearance



Specifications

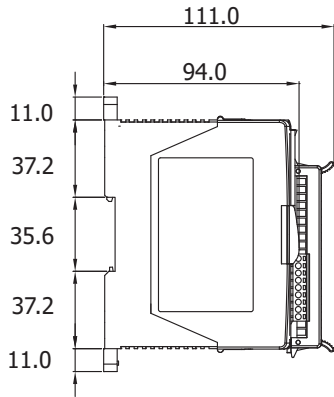
Models	ET-87P4	ET-87P8
Ethernet		
Port Type	2 x RJ-45, 10/100 Base-TX (Auto-negotiating, Auto MDI/MDI-X, LED indicators)	
Cabling	Daisy-Chain Ethernet Cabling	
Isolation	3000 VDC	
ESD Protection	+/- 4 K Contact Discharge and +/- 8 K Air Discharge	
Communication Protocol	DCON Protocol (ASCII format)	
SMMI		
7-Segment Display	5	
LED Indicator	3 x Ethernet (IP, Mask, Gateway); 1 x System	
Push Button	4	
I/O Expansion		
I/O Type	I-87K series	
Slots	4	8
Mechanical		
Dimensions (W x L x H, unit: mm)	188 x 132 x 111	312 x 132 x 111
Installation	DIN-Rail, Wall mounting	
Environmental		
Operating Temperature	-25 ~ +75 °C	
Storage Temperature	-30 ~ +80 °C	
Ambient Relative Humidity	10 ~ 90 % RH, Non-condensing	
Power		
Input Range	+10 ~ 30 VDC (1 kV Isolated)	
Reverse Polarity Protection	Yes	
Consumption	6.0 W	

Applications

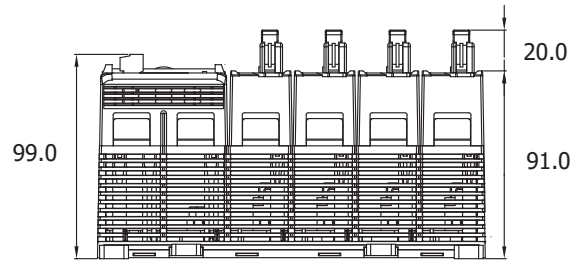


■ Dimensions (Units: mm)

ET-87P4/ET-87P8

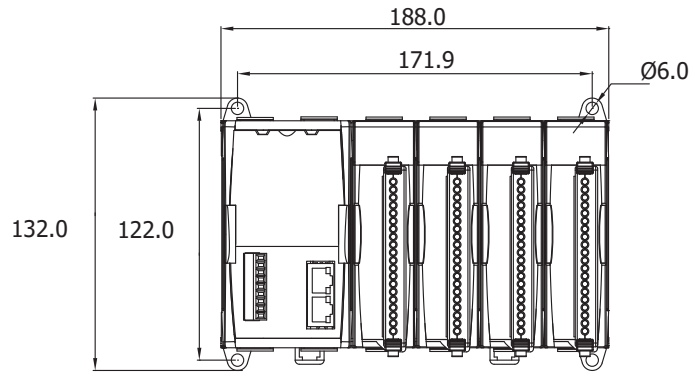


Left Side View



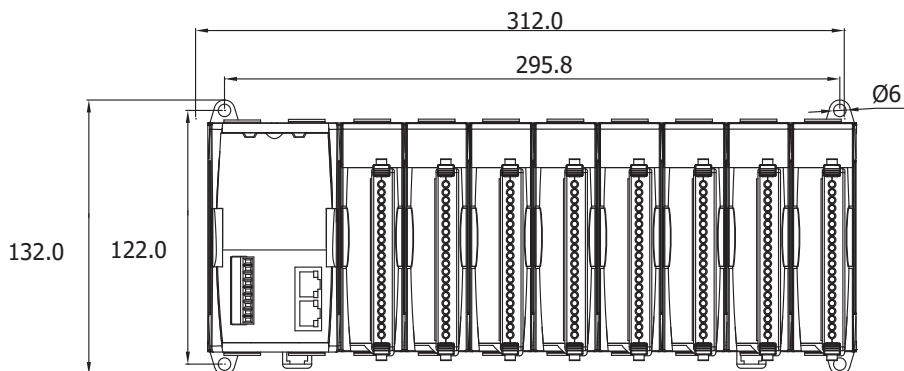
Bottom View

ET-87P4



Front View

ET-87P8



Front View

■ Ordering Information

ET-87P4 CR	4-slot Intelligent Ethernet I/O Expansion Unit (DCON Protocol) (RoHS)
ET-87P8 CR	8-slot Intelligent Ethernet I/O Expansion Unit (DCON Protocol) (RoHS)